

R3 MULTI SHIFT SEATING

ROVER



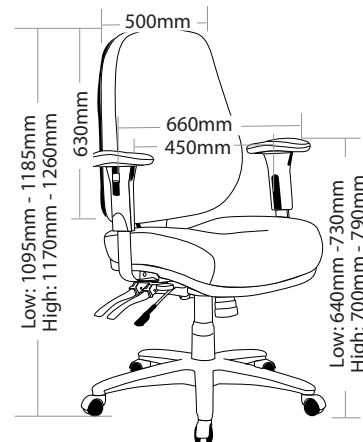
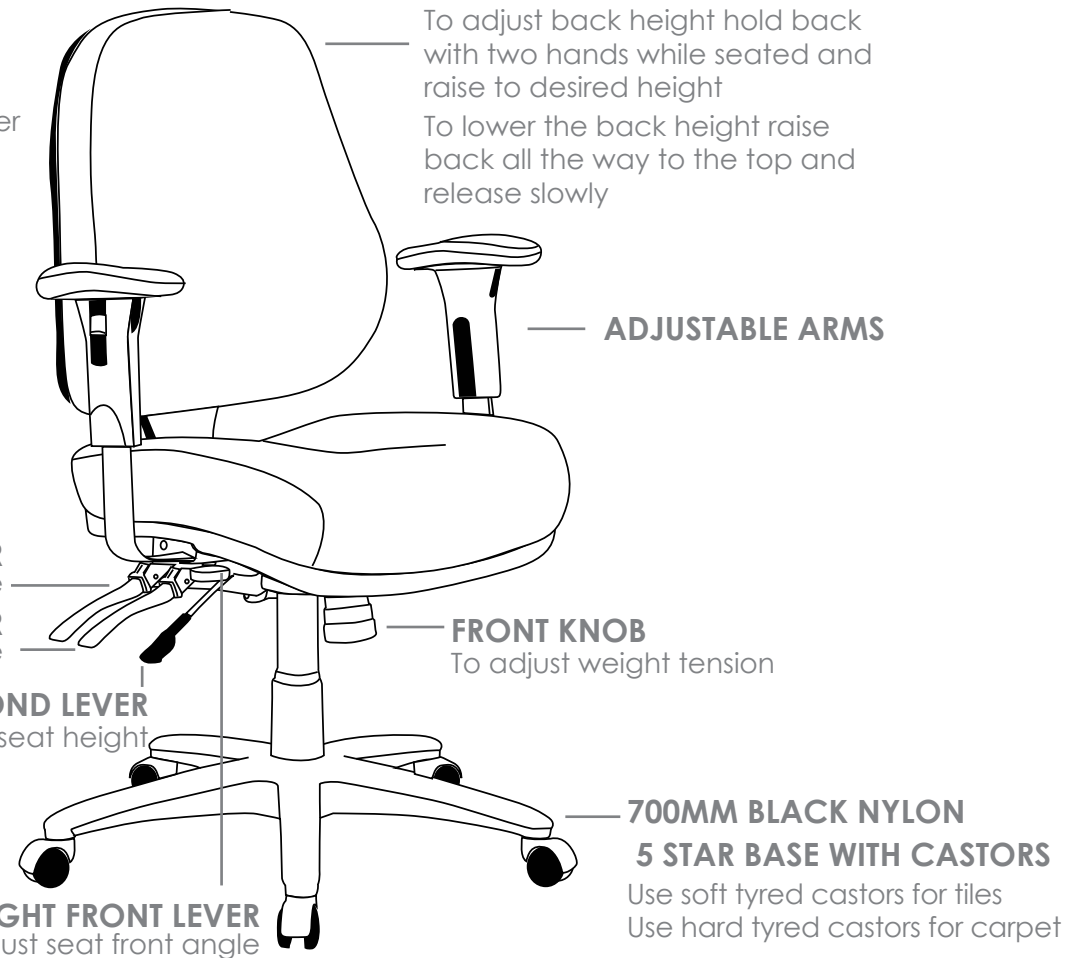
FEATURES

- » Adjustable seat height
- » Adjustable back height (ratchet)
- » Adjustable seat and back angle
- » Adjustable weight tension
- » Adjustable arms
- » Available in high and low back
- » Moulded seat and back foam
- » 4 lever ergonomic mechanism
- » 700mm black nylon base
- » Available in black leather only
- » Minor assembly required
- » Suitable for indoor use only
- » 10 year warranty
- » Weight limit is 140kg

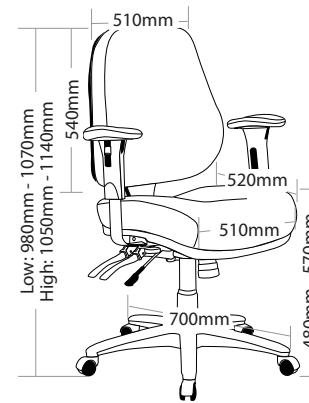
sof
sydney office furniture
sydneyofficefurniture.com.au

INDOOR USE ONLY

X Do not use as a step ladder



ROVER-1HA



ROVER-1LA

ROVER MULTI SHIFT SEATING



ROVER-1HA



ROVER-1LA



BACK VIEW